

# Aquatronica

Instruction manual



## USB Interface ACQ222



It is forbidden to reproduce, transfer, distribute or store, in any form, any part of this manual without authorisation from **AQUATRONICA**.

The information in this manual may be modified at any time without notice at the discretion of **AQUATRONICA**.

Any such changes will be added to subsequent editions of this manual.

**AQUATRONICA** reserves the right to modify and improve any of the products described in this manual without notice.

***Read this manual carefully before using the interface.***

## Index

- **Information concerning safety** ..... Page 3
- **Minimum system requirements** ..... Page 3
- **Installing the Aquatronica software program** ..... Page 4
- **Installation sequence of the interface and relative drivers**... Page 5
- **Checking installation for Windows XP** ..... Page 5
- **Checking installation for Windows Vista**..... Page 6
- **Checking installation for Windows 7**..... Page 6
- **Assembling the interface**..... Page 7
- **Connection drawing no.1 of the BUS cables**..... Page 8
- **Connection drawing no.2 of the BUS cables**..... Page 9
- **Connection drawing no.3 of the BUS cables**..... Page 10
- **Trouble shooting** ..... Page 11
- **Waste disposal standards**..... Page 12
- **Declaration of conformity**..... Page 12
- **Guarantee certificate**..... Page 13

**CHECK OUT OUR WEBSITE TO SEE IF THERE ARE ANY UPDATES AVAILABLE FOR THIS MANUAL.**

## Information concerning safety



Use the product exclusively for the purpose for which it is designed; any other use that has not been contemplated in this manual could irreparably damage the product.



Never attempt to disassemble the product because it has no parts that can be repaired by the user.

Repairs are to be carried out exclusively at authorised centres by qualified personnel. The manufacturer is not liable for personal injuries or material damages caused by tampering with the product.



Only original **AQUATRONICA** accessories or accessories approved by the same may be connected to the interface. The use of unapproved accessories could cause damages, fires, electric shocks or injuries to people. The manufacturer is not liable for personal injuries or material damages caused by tampering with the interface.

Keep the product out of children's reach to avoid the risk of electric shocks. The guarantee does not cover faults caused through the use of unapproved material.



The product is not **waterproof**, consequently it must not be put in direct contact with liquids.



Do not use flammable liquids to clean the product, which would come into contact with electrical parts and cause a fire.

## Minimum system requirements

- Windows 98 SE operating system
- Pentium processor
- 16 MB of RAM
- 20 MB of free space on HD
- SVGA graphic interface 800x600
- Internet Explorer 5.5
- CD-ROM drive
- USB port

## Installing the Aquatronica software

Before you install the program, make sure to close any other programs running and proceed as follows:

- 1) Put the CD-ROM in the CD drive.
- 2) The installation process will start automatically. If this does not happen open "My Computer" (or "Computer"), double click on the icon of the CD drive and double click on the "Setup.exe" icon to execute the program.
- 3) Follow the installation procedure instructions.
- 4) Now you can start the program by double clicking on the corresponding icon on the desktop of the PC.

## Installation sequence of the Interface and relative Drivers

- 1) Make sure the software installation CD and the USB driver are in their drive.
- 2) Assemble the interface, as illustrated on page 7.
- 3) Connect the interface following installation drawing no.1 on page 8.

**ATTENTION: Make sure you connect the interface exactly as shown in drawing 1; do not invert the position of cable A-A with that of cable A-B (see drawing 2 page 9).**

- 4) Connect the interface to the computer and wait until the system has detected it. If you are using Windows 7 operating system, go to step 5 otherwise go to step 6.
- 5) Wait for the system to finish automatic detection of the drivers for the device. If correct driver installation is indicated at the end of the process go to page 6 to check installation otherwise continue with step 6.
- 6) Confirm the default installation option suggested (Automatic software installation).
- 7) Press "continue".
- 8) The driver installation screen page will appear; during this phase, the program will copy all the files necessary on the HD of the PC.
- 9) The end of installation screen page will appear automatically; press "End" to end the procedure.

## Checking installation for Windows XP

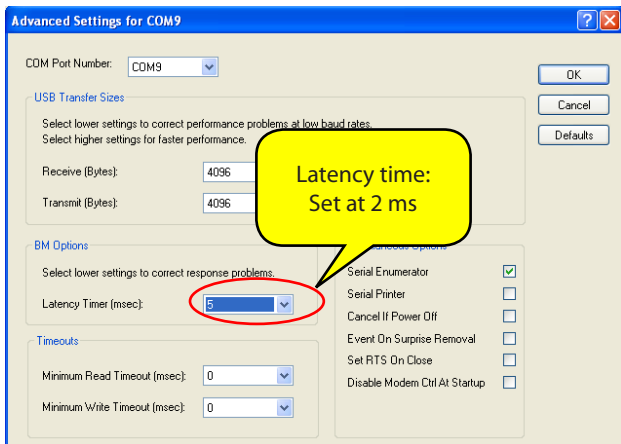
Proceed as follows to check if the interface has been installed correctly:

1. Access the "control panel" of Windows.
2. Double click on the "System" icon.
3. Click on "Hardware".
4. Click on "Device management".
5. Double click on "Ports (COM and LPT)".

If installation has been done correctly the "AEB USB SERIAL PORT (COMXX)" or "USB SERIAL PORT (COMXX)" device appears or one whose name comprises the wording "CP210X".

If "USB SERIAL PORT (COMXX)" appears, to improve the efficiency of the connection, you are advised to set the interface latency time at 2ms as follows:

- Double click on the interface added "USB SERIAL PORT (COMXX)".
- Click on "Port settings".
- Click on "Advanced".
- Change the "latency Timer" value, setting it at 2 ms, as illustrated in the screen page below.



## Checking installation for Win Vista - Win 7

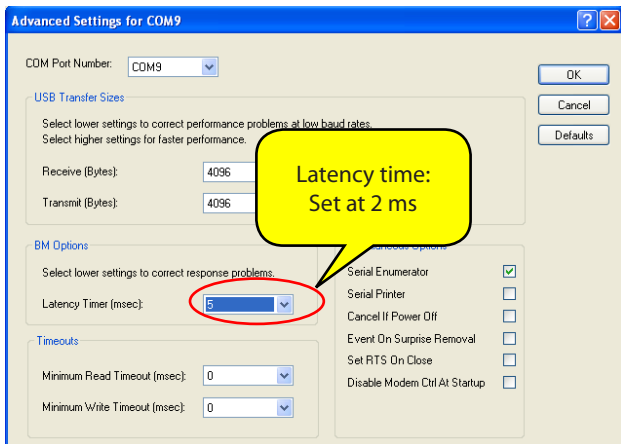
Proceed as follows to check if the interface has been installed correctly:

1. Access the "control panel" of Windows.
2. Access the "Hardware and sounds" category.
3. Click on the "Devices Management" connection on the right of the screen.
4. Double click on "Ports (COM and LPT)".

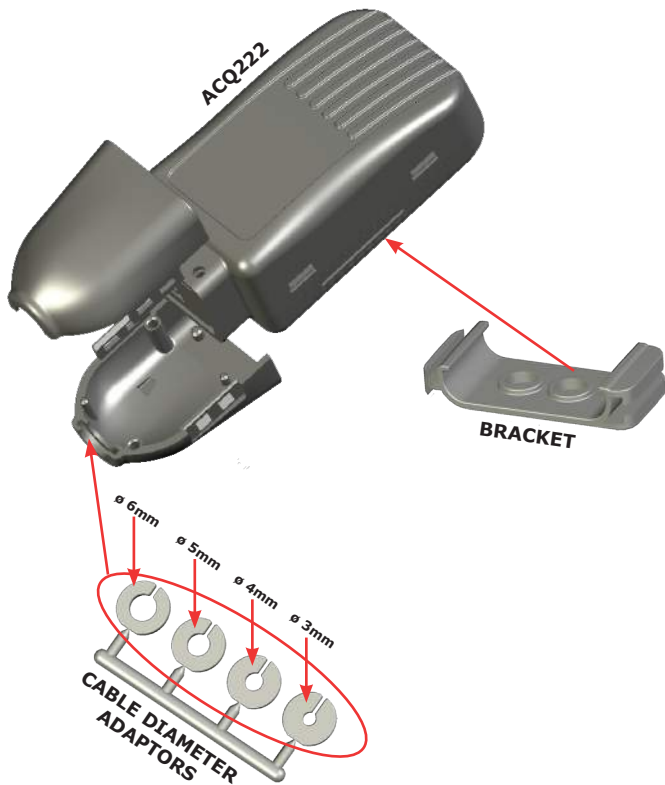
If installation has been done correctly the "AEB USB SERIAL PORT (COMXX)" or "USB SERIAL PORT (COMXX)" device appears or one whose name comprises the wording "CP210X".

If "USB SERIAL PORT (COMXX)" appears, to improve the efficiency of the connection, you are advised to set the interface latency time at 5ms as follows:

- Double click on the interface added "USB SERIAL PORT (COMXX)".
- Click on "Port Settings".
- Click on "Advanced".
- Change the "latency Timer" value, setting it at 2 ms, as illustrated in the screen page below.



# Assembling the Interface



Choose the most suitable cable diameter adaptor and put it in the slot, as illustrated.

# Connection drawing no. 1 of the BUS cables

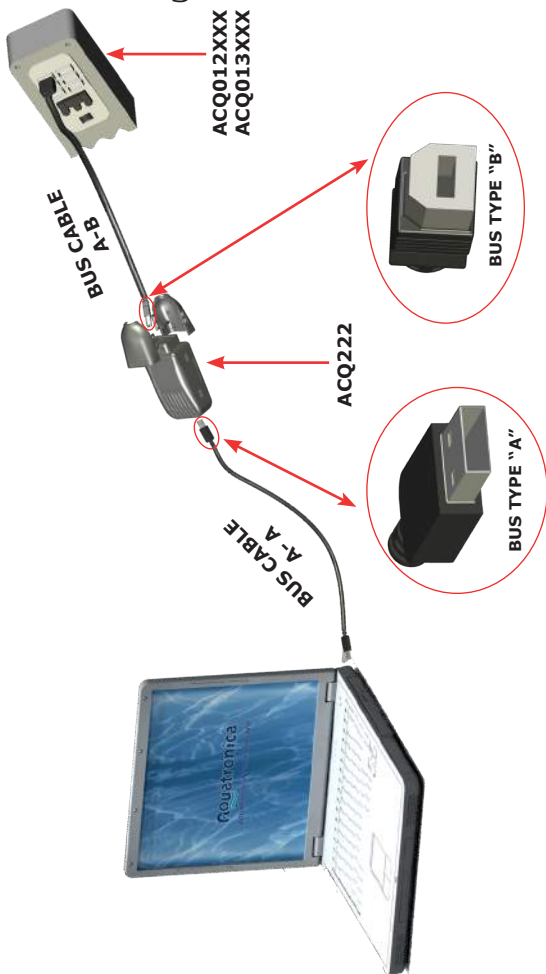
**OK**





# Connection drawing no. 2 of the BUS cables

**NO**



# Connection drawing no. 3 of the BUS cables

**NO**



## Trouble shooting

If the name of the device includes "CP210X" and a yellow exclamation mark appears near its icon, you need to proceed as follows:

- a)** Open the file "CP210xVCPInstaller.exe" which is on the installation CD in the "SiLabs/MCU/CP210x/Windows\_2K\_XP\_S2K3\_Vista" folder and downloadable from the download area on our website [www.aquatronica.com/download-area](http://www.aquatronica.com/download-area).
- b)** Follow the procedure, confirming whenever requested, until you reach the last screen page of the "InstallShield wizard Complete" procedure.
- c)** Press the "Install" tab and confirm each procedure requested by the installation procedure (If requested, confirm the removal of the previous drivers and/or start-up the PC again).
- d)** Wait for the installation procedure to be completed.

## Disposal of electrical and electronic parts

Pursuant to article 13 of Legislative Decree no. 151 dated 25h July 2005, "Implementation of **Directives 2002/95/CE, 2002/96/CE and 2003/108/CE, related to the reduction in the use of hazardous compounds in electrical and electronic equipment as well as waste disposal**"

The symbol of the crossed-out dustbin means that the product must be disposed of separately from other waste at the end of its useful life.

The user must therefore hand it over to suitable recycling centres for electronic and electro-technical waste, or to the retailer when buying a new equivalent piece of equipment, on a one-to-one basis.

The differentiated collection of used equipment to be sent to a disposal centre for recycling, treatment and disposal in an environment friendly manner helps to avoid negative consequences for the environment and health and favours the recycling of the constructional materials of the equipment.

If the user throws the product away illegally, he/she will be subject to the administrative sanctions stated in Legislative Decree no. 22/1997).



DECLARATION OF CONFORMITY				
<b>CE</b>				
Standard of reference ISO/IEC Guide 22 and EN 45014				
Number of conformity: 007-2008/E				
Name of the manufacturer:	Aquatronics division of A.E.B. srl			
Address:	via dell'Industria, 20 Corte Tegge 42025 Cavriago (RE) Italy			
<b>DECLARES THAT THE ELECTRONIC UNIT</b>				
Name of the product:	USB Interface			
Code:	ACQ222			
<b>IS IN COMPLIANCE WITH THE FOLLOWING PRODUCT SPECIFICATION:</b>				
FIELD	Directive	Description	References	Test Result
EMC	2004/208/EC	EMC directive	Official Journal of the European Union L390 Dec 31 2004	applied
<b>THEREFORE IT IS IN COMPLIANCE WITH THE REQUISITES OF THE CE MARK</b> <small>The equipment was checked in a typical working configuration</small>				
Place of issue: Cavriago (RE) Italy			Date of issue: 09/17/2008	
The A.E.B. srl legal representative Paterlini Ivan				

## Guarantee certificate

Dear customer,

We thank you for the trust you have placed in **AQUATRONICA** by purchasing this product. **AQUATRONICA** puts all its products through strict quality tests; if, despite all the tests carried out, the product should show signs of malfunctioning, you are recommended to contact the shop where you purchased the product or the manufacturer to have the product inspected, repaired or replaced accordingly.

### - General guarantee conditions

**AQUATRONICA** guarantees that this product works correctly and that it has no constructional faults or defects. If the product becomes defective during the guarantee period, **AQUATRONICA** will repair or replace it accordingly. Defective parts will be replaced ex-works from **AQUATRONICA's** factory and shipping expenses will be to the charge of the recipient. Accessories or components that are not made by **AQUATRONICA** are covered by the guarantees of their respective manufacturers. This is the only guarantee offered by **AQUATRONICA**; all others are excluded. Unless due to intentional damages or gross negligence, **AQUATRONICA** cannot be held liable for personal injuries or material damages resulting from product malfunctions. This guarantee is only valid for customers who are up to date with all their payments.

### - Conditions

The guarantee is valid for **24 months from the date of purchase**, only upon presentation of this certificate, which must bear the shop's invoice or receipt, where the serial numbers of the products installed are written. Lacking such information, the end customer will be offered a guarantee of **24 months from the date printed on the back of the product**. **AQUATRONICA** may refuse to acknowledge the guarantee if such information is incomplete or has been altered after purchase. The guarantee will be valid only if, at the time of purchase, the product was stored correctly in its original packaging prepared by **AQUATRONICA**, which is the only one that ensures its original and suitable protection.

### - Excluded from the guarantee

This guarantee does not cover:

- a)** periodic inspections, maintenance, repairs or replacements of parts due to normal wear and tear;
- b)** malfunctioning due to negligence, incorrect installation, improper use or failed observance of the technical instructions and, generally speaking, any malfunctions that are not caused by constructional faults or defects of the product and therefore to the responsibility of **AQUATRONICA**;
- c)** products that have been modified, repaired, replaced, fitted or in any way tampered with by anyone without prior written authorisation from **AQUATRONICA**;
- d)** accidents caused by unforeseeable events or other causes (i.e. water, fire, lightning, poor ventilation etc.) that do not depend on **AQUATRONICA**.

**Products with constructional faults or defects that may be recognised through common sense must not be resold or installed. The sole competent court for any disputes concerning the interpretation and implementation of this guarantee is that of Reggio Emilia.**

Product code: \_\_\_\_\_

Serial number:

--	--	--	--	--	--	--	--	--	--	--	--	--	--	--	--	--	--	--	--

Date of purchase:

Day		Month		Year			
<input type="text"/>	<input type="text"/>	<input type="text"/>	<input type="text"/>	<input type="text"/>	<input type="text"/>	<input type="text"/>	<input type="text"/>

Stamp of shop

# **Aquatronica**



**A.E.B. Srl Division**

**Via dell'Industria, 20 - 42025 Cavriago (RE) Italy**

**Tel.: +39 0522 494403 Fax: +39 0522 494410**

**<http://www.aquatronica.com>**

**E-mail: [service@aquatronica.com](mailto:service@aquatronica.com)**